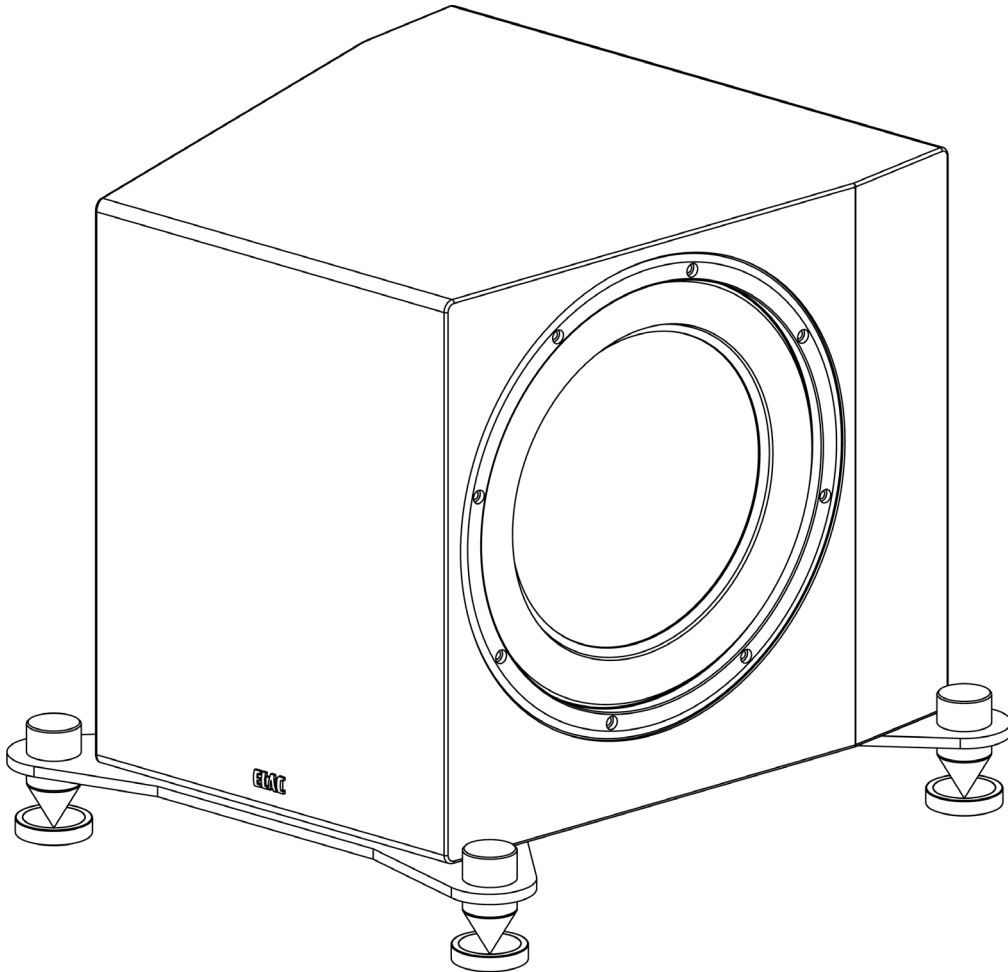


SUB3070 POWERED SUBWOOFER



SUB3070 Powered Subwoofer

OPERATING INSTRUCTIONS

ELAC The life of sound.

Safety Instructions

1. General information

- Please read and follow these safety instructions.
- Keep them safe for future reference.
- Observe all warnings on the speaker and in the manual. Please check the speaker for damage before use. The speaker must be in perfect working condition. Damaged parts may lead to personal injury.

CAUTION! Subwoofers and active speakers are heavy. Be careful when lifting them to prevent personal injury.

2. Use only as directed

- Connect this speaker according to the instructions in the manual.
- Many ELAC speakers are equipped with spikes and / or anti-slip feet. They are explicitly provided for leveling the alignment. They have to be screwed into the thread until thread end. For leveling on an uneven floor, it is allowed to unscrew the spikes or anti-slip feet by 2-3 turns of thread. The speaker has always to be in perfect vertical alignment. The stability of the speaker must not be compromised by using spikes or anti-slip feet as the speaker may tip-over .

3. Location

- Install the speakers on a level surface only
- When choosing the location of these speakers do not place them in locations that are:
 - In direct sunlight
 - Very humid
 - Prone to vibrations
 - Exceptionally hot or cold
 - Near CRT Televisions (The speakers are not magnetically shielded and may cause color issues with a CRT based TV)
 - Close to magnetic cards (Since the speakers are not magnetically shielded placing magnetic cards such as credit cards or commuter cards may cause them to fail).

WARNING! Please ensure the product is perfectly stable to avoid severe injury from tip-over. Please note, that stability can be increased by using spikes for carpets. However, the mounting of spikes must be carried out carefully because the spikes have very sharp ends which may cause injuries. The stability on slippery floors can be increased by using Velcro fastening tape or double-sided adhesive tape. Do not install the speaker near any heat sources such as radiators, heating valves, stoves, or other apparatus (including amplifiers) that produce heat, or in areas where there is a risk of explosion.

- Do not block any ventilation openings. Install in accordance with the manufacturer's instructions.
- Don't install the speaker in a closed rack or in a closed cupboard.
- Don't put burning candles on or near the speaker.
- Do not install the speaker near transformers because electromagnetic stray fields can cause the subwoofer(s) to produce humming noise.
- In combination with certain materials / lacquers / material surfaces, anti-slip feet or spike washers may cause colored imprints on the surfaces.

4. Overload

Extreme overload of the device due to very high volume may cause individual components to blow. Because of the possible danger, you should never leave loudspeakers under extreme overload conditions unattended.

5. Service

DANGER! Do not open the cabinet because the components and conductors may carry dangerous levels of electricity! Servicing to be carried out by qualified service personnel only.

Servicing is required when the loudspeaker has been damaged in any way, such as damage to the power supply cord or the plug, or when liquid has been spilled or objects have fallen into the loudspeaker, the speaker has been exposed to rain or moisture, does not operate normally, or has been dropped. To reduce the risk of electric shock, do not open the loudspeaker. Servicing to be carried out by qualified service personnel only .



6. Fuse links

Various faults in subwoofers or active speakers may cause the fuse to blow. If the fuse blows, only replace it with the correct fuse type and rating as shown on the rear of the loudspeaker on the fuse holder. A second fuse is included with the device (in the fuse holder beneath the mains socket).

7. Cleaning

NOTE: Clean only with soft, smooth cloth or with dust brush. Do not use scouring agents, alcohol, benzene, furniture polish or other agents for cleaning! Modern furniture is often coated with multiple varnishes and plastics which can be treated with chemical agents. Some of these agents contain substances which degrade or soften the rubber feet. Therefore we advise you to place an anti-slip mat underneath the loudspeaker.

8. Volume

CAUTION! Continuous high volume may cause severe damage to your hearing. Please listen responsibly.

9. Disposal

The packaging is made from recyclable materials. Dispose of this in an environmentally friendly manner. At end of product life do not dispose of the speaker(s) with standard household waste. The speaker must be recycled in accordance with local legislation. Ask your local government for further information on recycling as the device contains valuable raw materials. Disable the speaker before disposal.

10. Power

This subwoofer is only intended to be connected to voltages that are listed on the rear panel of the cabinet. Connection to any other voltage may cause irreversible damage to the subwoofer and will void the warranty. Use of plug adapters is not recommended because they may allow connection to voltages other than those printed on the back of this subwoofer.

Philosophy

Thank you for purchasing this ELAC product.

When we started in 1926, ELAC has always strived to achieve the very best. This holds true as much today as it did back then.

Your new ELAC speakers are built to the highest standards using high-quality components that are carefully constructed to deliver the best-in-class sound quality. They are developed by a passionate group of individuals whose soul purpose is to bring a new dimension of sound quality into your home. Enjoy!

Before Use

Avoid damage to the speakers and other components:

- Unbox the subwoofer carefully to avoid physical damage
- Keep your equipment turned off before connecting interconnects or speaker cables
- Check to ensure power cable is pushed in and secured to avoid electrical shock and injury.

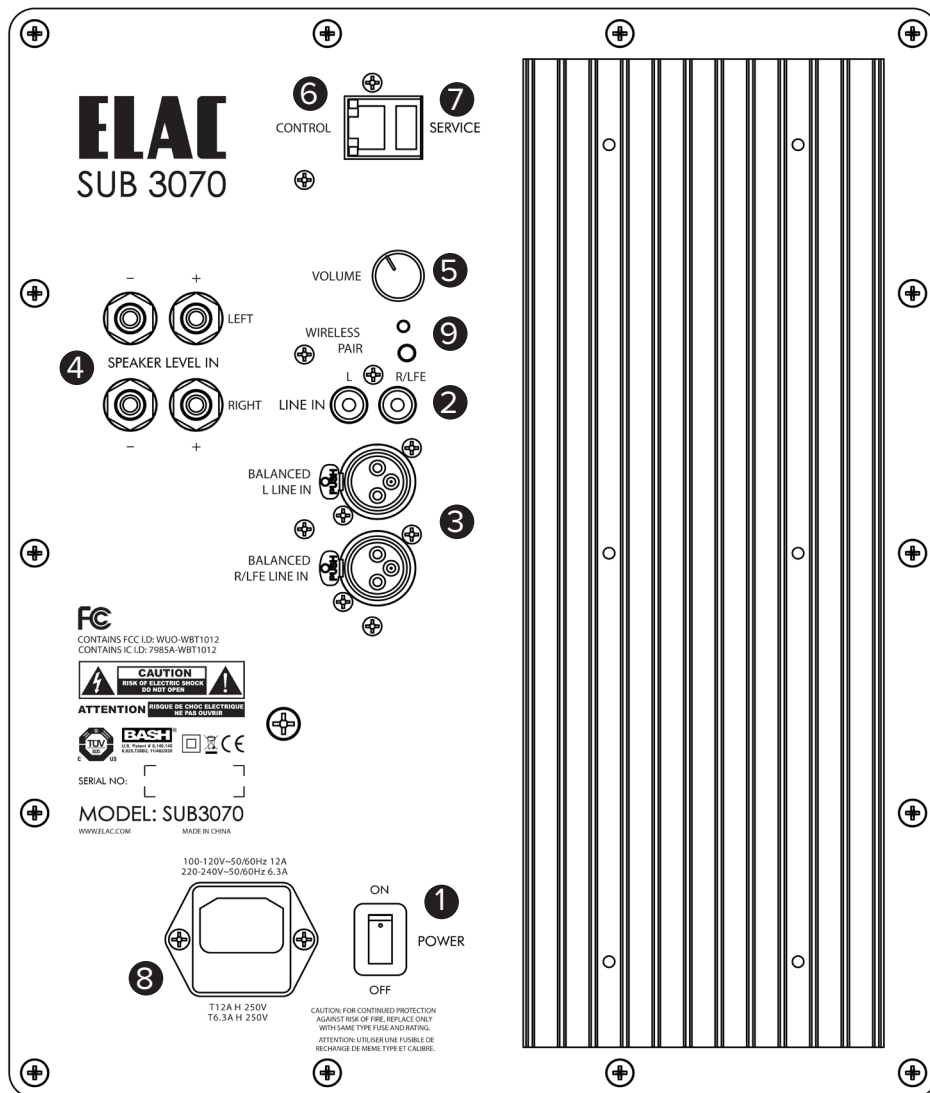
BASH Technology

The BASH® technology implemented in the amplifier module of the ELAC subwoofer features power reserves with much lower levels of distortion. This is achieved by using an audiophile class A/B power amplifier whose supply voltage is regulated by a class D amplifier circuit to prevent any unnecessary power losses and to obtain the efficiency of a class D amplifier.

Since the audio signal is amplified in the analog domain, the high-frequency interference typical of digital amplifiers is eliminated. This design results in a low-noise amplifier with lower electromagnetic interference emissions. The absence of crossover distortion, which is a problem in traditional class D designs where the switching speed of the transistors is limited, yields further improvement in total harmonic distortion.

Controls and Indicators

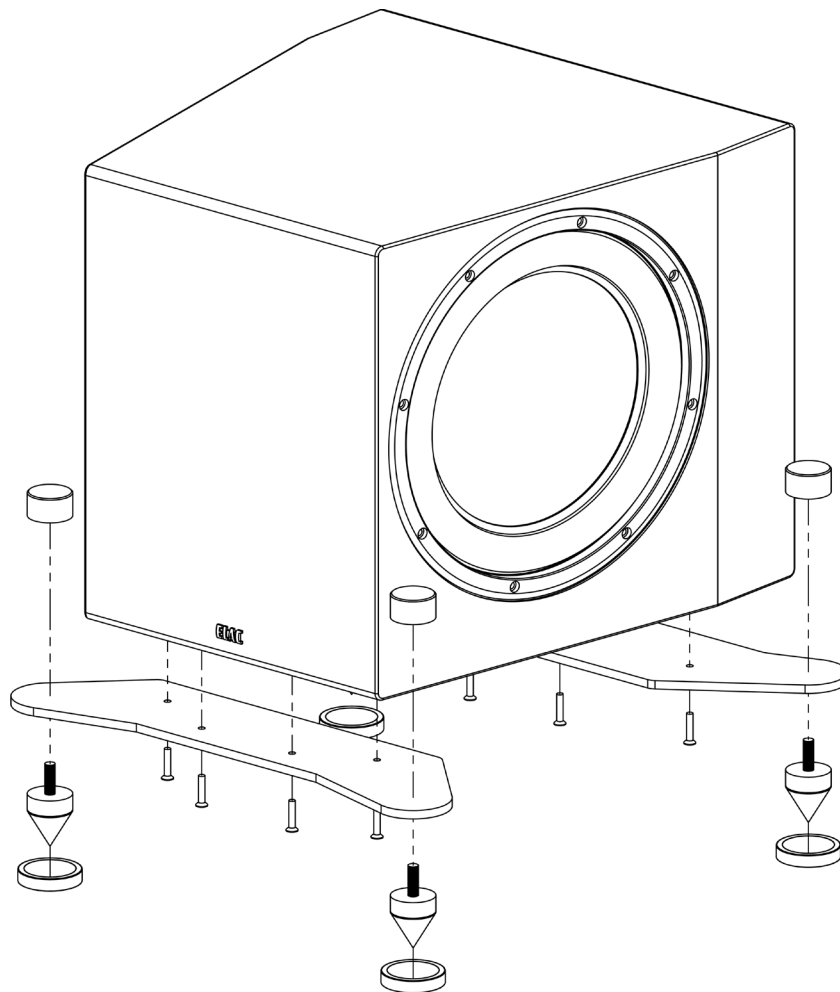
1. Power Switch — Used as the primary power switch for the subwoofer. Auto-Power on/off is available from the smartphone application
2. RCA Line In — The line level connection is used to connect the subwoofer to your pre-amp/AV receiver.
3. XLR Inputs—For use with pre-amp/AV receivers with XLR outputs
4. Speaker Level Inputs—For use with Integrated Amplifier/Receivers without a dedicated subwoofer output.
5. Volume—Used for setting the volume of the of the subwoofer.
6. Ethernet — For future use. Will allow for 3rd party controllers.
7. Service — This connection is used for updating the subwoofer and not used for normal operation.
8. AC Inlet — This inlet is a standard IEC power jack. Use the supplied power cord to connect the subwoofer to an available AC outlet.
9. Wireless Pairing Button—Used to pair the subwoofer with the optional wireless transmitter.



Installing Bottom Plates and Spikes

The SUB3070 comes with two steel bottom plates as well as a spike set that must be installed prior to use. Please follow the below steps when unpacking and setting up the subwoofer. Due to the weight of the subwoofer we highly suggest having a second person assist with this process.

1. Carefully unbox and remove the subwoofer from the box. Due to the weight of the subwoofer we **highly suggest using a second person**. Place the subwoofer upside down on a soft non-abrasive surface.
2. Locate and place the steel bottom plates on the bottom of the subwoofer (The screw holes only line-up one way) and secure with the supplied screws.
3. Now screw in the spikes as shown in the below diagram.
4. If you are installing the subwoofer on carpet, carefully turn the subwoofer over and adjust for the spikes to level the subwoofer. You will need to use the metal locking caps to lock the spikes into place once leveled.
5. If you are installing the subwoofer onto hardwood, tile or other non carpet surfaces please use the supplied spike discs to prevent any damage to your floor.



Connecting your Subwoofer

The SUB3070 Can be connected to your home audio system using one of the three below options.

Option 1: Connect the subwoofer to an AV Receiver or Pre-Amp with a dedicated subwoofer or LFE output using an RCA or XLR cable (not supplied) from the LFE/Subwoofer output on the AV Receiver/Pre-Amp to the LFE IN on the subwoofer (Fig 1).

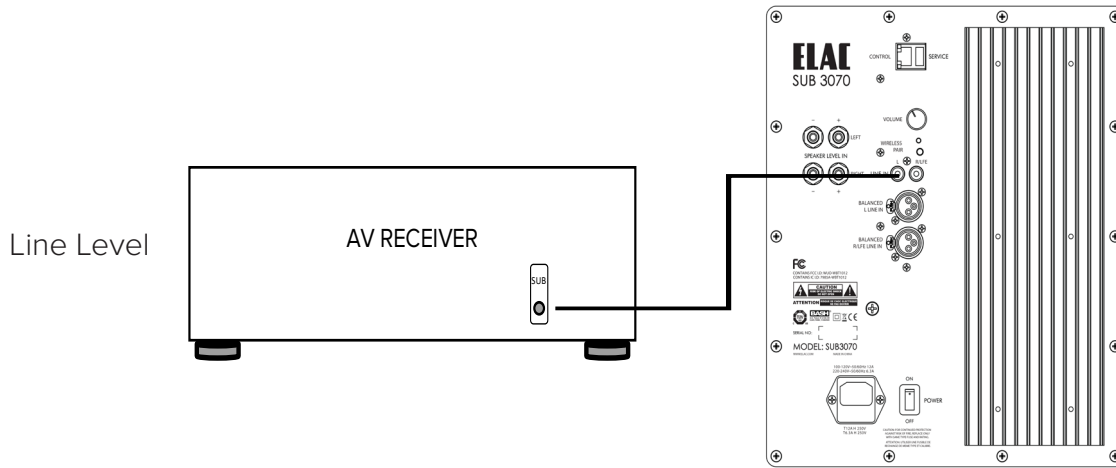


Fig 1

Option 2: Connect the Left and Right Speaker Outputs of your Amplifier/Integrated Amplifier/Receiver to the speaker level inputs on the SUB3070. You will also connect the same speaker level outputs on your Amplifier to the speakers as shown in Fig 2

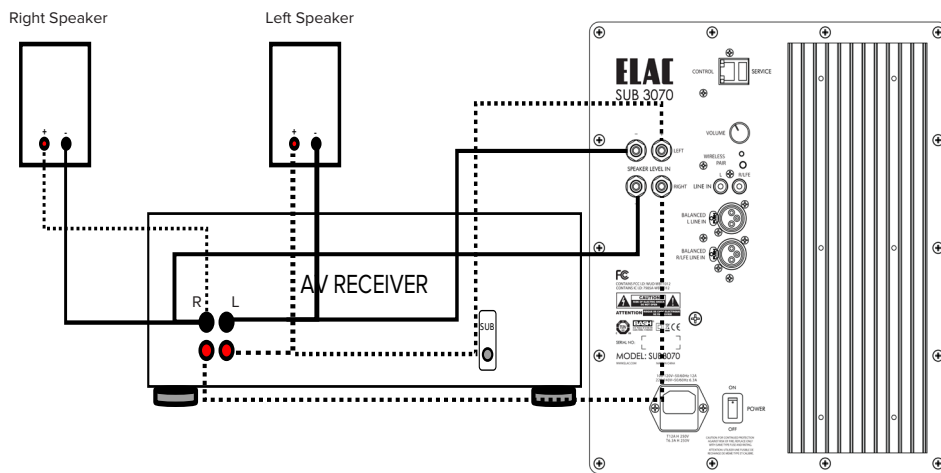


Fig 2

Option 3: Use the optional wireless transmitter (Sold Separately). Please follow the instructions included with the wireless transmitter.

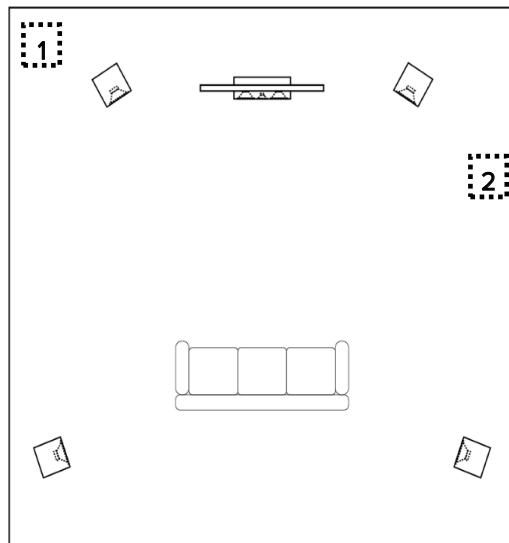
Subwoofer Placement

Finding the proper placement for your subwoofer can take some trial and error, however here are a few basic tips to get you started. In most cases the best position for the subwoofer is in the front corner (1) of the room. Placing a subwoofer in a corner excites most room modes and offers the best chance of avoiding a null area (a part of the room that experiences an acoustic reduction in bass).

If placing the subwoofer in the corners creates an abnormal amount of bass, you can try moving the subwoofer to one of the side walls (2) near the front of the room.

If possible the best option is to move the subwoofer around the room and find the location that sounds the best from your normal listening position. There are many test discs you can purchase that provide the correct test signals for helping find this optimum location.

Note: The PHASE and DELAY functions built into the subwoofer will also help if you experience any placement issues.



Controlling Your Subwoofer—App Required

Your ELAC subwoofer incorporates an advanced, digital control system. Conventional analog rotary potentiometers and switches (Except for Volume) have been replaced by a digital signal processor (DSP), which enables you to adjust your subwoofer conveniently and accurately. All parameters, such as volume, cut-off frequency, phase, etc., as well as the automatic calibration functions, can be adjusted with the help of a free custom smart device APP.

The digital control system also eliminates the possibility of unwanted changes to controls and settings.

Note: A Bluetooth 4.0 low-energy Android or iOS device is required to set up and operate this subwoofer. You can download the “ELAC SUB Control 2.0” APP from the Apple® App Store® or Google® Play Store®.



Please note that your mobile device must support Bluetooth® Standard 4.0. This is the case for the majority of devices sold as of mid-2013. If necessary, check the accompanying documentation for your mobile device or contact the manufacturer’s support hotline.

Note: In case your mobile device needs a 4 digit code during the subwoofer-pairing procedure, please use “0000”

SPECIFICATIONS

| | |
|---------------------------|---|
| Speaker Type | Sealed Box, Powered Subwoofer |
| Woofers | 2 x 12" Aluminum Sandwich Cone |
| Frequency Response | 18Hz to 180Hz |
| Crossover Frequency | 40Hz to 150Hz |
| Amplifier Type | BASH |
| Maximum Amplifier Power | 1200 Watts |
| App Controlled | Yes (iOS and Android) |
| DSP | Yes |
| Standby Power Consumption | 1 Watt |
| Maximum Power Consumption | 1800 Watts |
| Inputs | 2 x line-channel (XLR); 2 x line-channel (RCA); 2 x Speaker level |
| Data Connection | Ethernet (Control), USB (Firmware Update) |
| Wireless | Receiver Built-in (Transmitter sold separately) |
| Cabinet Finish | Gloss Black, Gloss White, Dark Rosewood Veneer |
| Accessories Included | AC Power Cord, Bottom Plate, Floor Spikes |
| Height | 17.13in |
| Width | 20.39in |
| Depth | 18.75in |
| Net Weight | 77lbs |

ELAC Americas Inc.
North America Limited Liability Warranty
Powered Subwoofers

ELAC Americas Inc. warrants to the original purchaser that this product be free from defects and or workmanship for a period of 3 (Three) years on the cabinet and speaker driver and 1 (One) year on the amplifier from the original date of purchase. During this time period, repair or replacement of parts will be free of charge to the original owner (See below limitations). Shipping to and return from the repair center will be the responsibility of the original purchaser.

Limitations

Warranty begins on the date of original purchase from an authorized ELAC Americas Inc. dealer.

- Product is warranted only if used in home applications. Commercial use of this product is not warranted.
- Product that has been modified or altered in anyway will not be warranted.
- Product that has been abused or subjected to faulty equipment will not be warranted.
- Products with defaced or removed serial numbers will not be warranted.

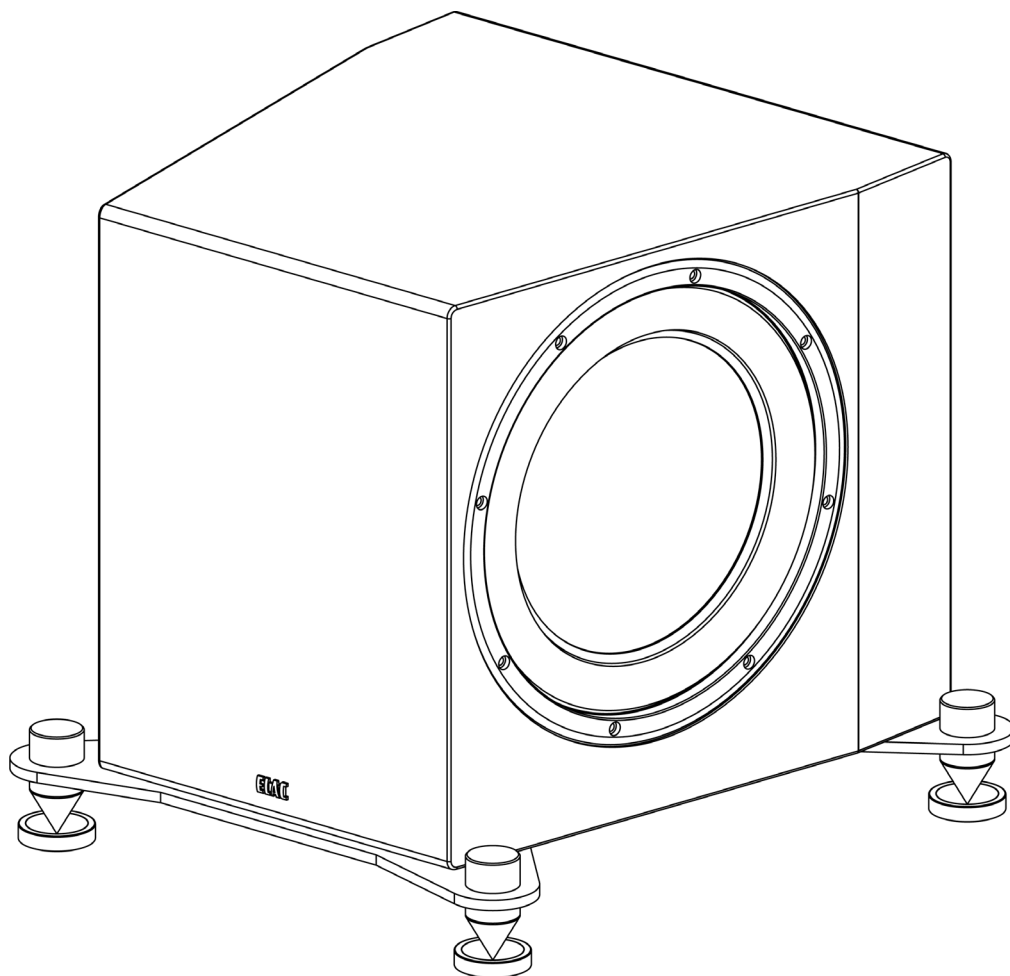
If service is required

In the event that service is required, please contact ELAC America at 714-252-8843 or at customerservice@elac.us to arrange for service or replacement. You will be responsible to provide proof of purchase (Copy or original sales receipt). Shipping to and from our repair center will be the responsibility of the original purchaser.

Warranty Outside of North America

This warranty applies to products purchased in the United States and Canada. For warranty claims outside of North America please contact the local dealer/distributor in the country of purchase.

ENCEINTE D'EXTRÊMES GRAVES AMPLIFIÉE - SUB3070



Enceinte d'extrêmes graves amplifiée - SUB3070

CONSIGNES D'UTILISATION

ELAC The life of sound.

Consignes de sécurité

1. Informations générales

- Veuillez lire et suivre ces consignes de sécurité.
- Conservez-les pour une consultation future.
- Respectez toutes les recommandations inscrites sur l'enceinte et dans le manuel. Vérifiez si l'enceinte est endommagée avant de l'utiliser. L'enceinte doit être en parfait état. Les pièces endommagées peuvent causer des blessures.

ATTENTION ! Les enceintes d'extrêmes basses et les haut-parleurs actifs sont lourds. Soyez prudent en les soulevant afin d'éviter des blessures.

2. Utilisez seulement selon les directives

- Connectez les enceintes conformément aux directives du manuel.
- Plusieurs enceintes ELAC sont équipées de pointes et/ou de pieds antidérapants. Ils sont explicitement fournis pour niveler et ajuster. Ils doivent être vissés dans le filet jusqu'à la fin du filet. Pour le nivellement sur un plancher irrégulier, il est permis de dévisser les pointes ou les pieds antidérapants de 2 à 3 tours. L'enceinte doit toujours conserver un alignement vertical parfait. La stabilité de l'enceinte ne doit pas être compromise lors de l'utilisation des pointes ou des pieds antidérapants, car l'enceinte risque de basculer.

3. Emplacement

- Installez uniquement les enceintes sur une surface plane
- Lorsque vous choisissez l'emplacement de ces enceintes, évitez de les placer dans des endroits :
 - Exposés directement aux rayons du soleil
 - Très humide
 - Sujets aux vibrations
 - Exceptionnellement chaud ou froid
 - Près de téléviseurs à tubes cathodiques (Les enceintes ne sont pas isolées magnétiquement et pourraient causer des problèmes de couleur à un téléviseur à tubes cathodiques)
 - Près des cartes magnétiques (Comme les enceintes ne sont pas isolées magnétiquement, le fait de déposer des cartes magnétiques telles que des cartes de crédit ou de transport risque de les endommager).

ATTENTION! Afin d'éviter toute blessure due au basculement d'une enceinte, veuillez vous assurer que le produit est parfaitement stable. Veuillez prendre note que la stabilité peut être augmentée sur les surfaces de tapis grâce aux pointes incluses. Cependant, le montage des pointes doit être effectué avec précaution car leurs extrémités très pointues pourraient causer des blessures. Sur des planchers glissants, la stabilité peut être augmentée en utilisant du ruban agrippant de Velcro ou du ruban adhésif à double face. N'installez pas l'enceinte à proximité de sources de chaleur telles que des radiateurs, des valves de chauffage, des poêles ou autres appareils (incluant des amplificateurs) qui produisent de la chaleur ou dans des endroits présentant des risques d'explosion.

- Ne bloquez pas les ouvertures de ventilation. Effectuez l'installation conformément aux directives du fabricant.
- N'installez pas l'enceinte dans une étagère fermée ou un placard fermé.
- Ne placez pas de bougies allumées sur ou près de l'enceinte.
- N'installez pas l'enceinte à proximité de transformateurs car les champs de électromagnétiques peuvent provoquer des bourdonnements émis par les enceintes.
- En combinaison avec certains matériaux / laques / revêtements, les pieds antidérapants ou les rondelles de pointes pourraient laisser des traces de couleur sur ces surfaces.

1. Surcharge

Une surcharge extrême de l'appareil en raison d'un volume très élevé pourrait endommager certaines composantes de l'appareil. En raison de dangers potentiels, vous ne devez jamais laisser les enceintes sans surveillance dans des conditions de surcharge extrême.

2. Service

DANGER! N'ouvrez pas le boîtier, car les composants et les conducteurs peuvent transporter des niveaux dangereux d'électricité! L'entretien doit être uniquement effectué par un personnel qualifié.

Un entretien est requis lorsque l'enceinte a été endommagée d'une quelconque manière; soit que le cordon d'alimentation ou la fiche électrique a été endommagé, soit du liquide a été renversé ou des objets sont tombés sur l'enceinte, soit l'enceinte a été exposée à la pluie ou à l'humidité, si elle ne fonctionne pas normalement ou si elle a été échappée. Pour réduire les risques d'électrocution, n'ouvrez pas l'enceinte. L'entretien doit être uniquement effectué par un personnel qualifié.



3. Fusibles

Différentes défaillances dans les enceintes d'extrêmes basses ou les enceintes actives peuvent brûler le fusible. Si le fusible est brûlé, remplacez-le seulement par le bon type de fusible et le bon calibre, tel qu'indiqué à l'arrière de l'enceinte sur le porte-fusible. Un deuxième fusible est inclus avec l'appareil (dans le porte-fusible sous la prise secteur).

4. Nettoyage

REMARQUE : Nettoyez uniquement avec un chiffon doux et souple ou une brosse à dépoussiérer. N'utilisez pas de produits abrasifs, d'alcool, de benzène, de cire pour meubles ou autres produits de nettoyage! Le mobilier moderne revêt souvent de multiples couches de vernis et de plastiques qui peuvent être traitées avec des agents chimiques. Certains de ces agents contiennent des substances qui dégradent ou ramollissent les pieds en caoutchouc. Par conséquent, nous vous conseillons de placer un tapis antidérapant sous l'enceinte.

5. Volume

ATTENTION ! Un volume élevé continu peut endommager gravement votre audition. Veuillez utiliser le volume des enceintes de manière responsable.

6. Élimination

L'emballage est fabriqué à partir de matériaux recyclables. Mettez-le au rebut de manière écologique. Au terme de son cycle de vie, ne jetez pas l'enceinte avec les ordures ménagères. L'enceinte doit être recyclé conformément à la législation locale. Informez-vous auprès de vos autorités locales pour obtenir de plus amples renseignements sur le recyclage, cet appareil contient des matières premières de valeur. Désactivez l'enceinte avant de le mettre au rebut.

10. Cordon D'Alimentation

Cette enceinte d'extrêmes basses est uniquement destinée aux voltages (tensions) inscrits sur le panneau arrière du boîtier. Tout branchement à un autre voltage peut causer des dommages irréversibles à l'enceinte et annulera la garantie. L'utilisation d'adaptateurs de courant n'est pas recommandée parce qu'ils permettent un branchement à des voltages qui ne sont pas inscrits à l'arrière de l'enceinte.

Philosophie

Merci d'avoir fait l'achat de ce produit ELAC.

Quand nous avons commencé en 1926, ELAC a toujours visé l'excellence. Ce principe est aussi vrai aujourd'hui qu'il l'était à l'époque.

Vos nouvelles enceintes ELAC sont conçues selon les normes les plus rigoureuses, munies de composantes de qualité supérieure et soigneusement fabriquées pour procurer la meilleure qualité sonore de sa catégorie. Elles sont conçues par un groupe de gens passionnés dont le seul but est d'apporter à votre foyer une nouvelle dimension de qualité sonore. Profitez-en!

Avant l'utilisation

Évitez d'endommager les haut-parleurs et les autres composantes :

- Déballez l'enceinte avec précaution afin d'éviter les blessures
- Gardez votre équipement éteint avant de connecter les interconnexions ou les câbles d'enceinte
- Vérifiez que le câble d'alimentation est bien enfoncé et sécurisé afin d'éviter les chocs électriques et les blessures.

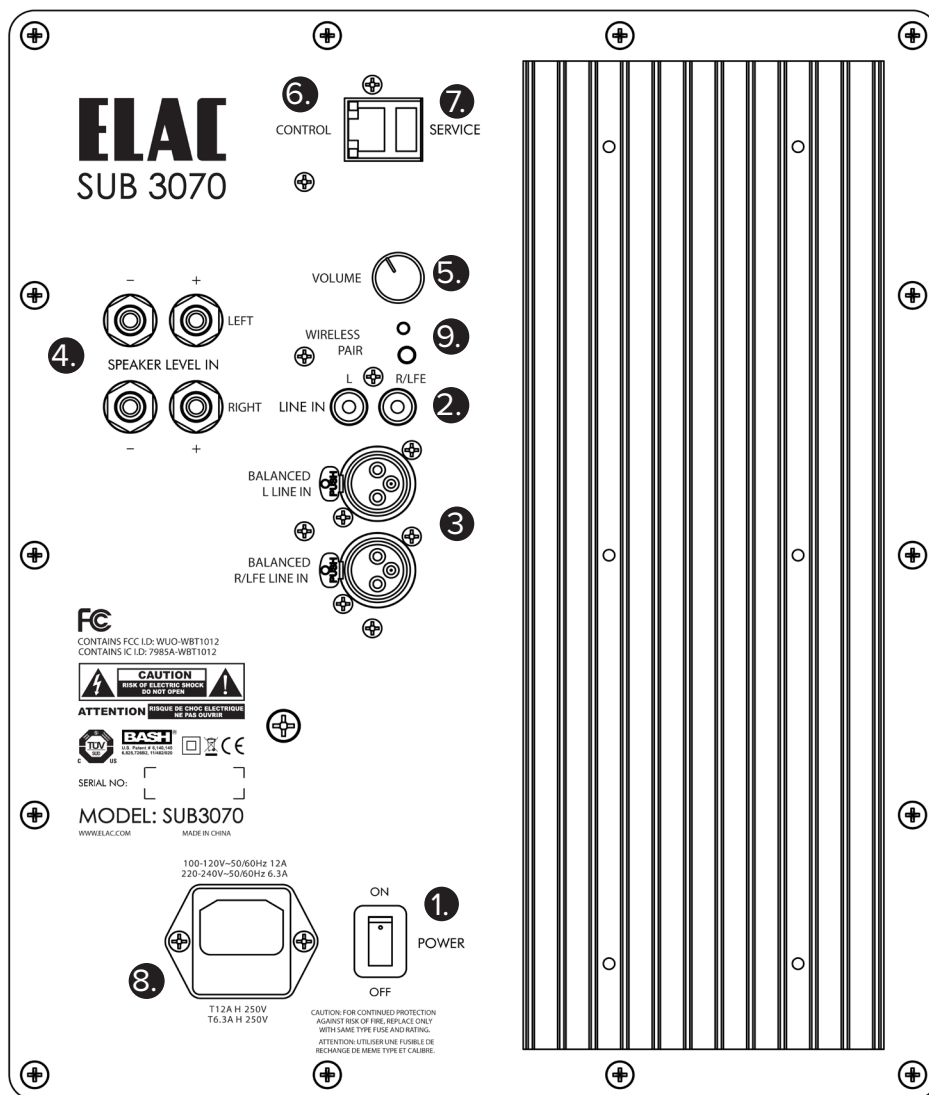
Technologie BASH

La technologie BASH® mise en oeuvre dans le module d'amplification de l'enceinte d'extrêmes basses ELAC offre des réserves de puissance avec des niveaux de distorsion beaucoup plus faibles. Ceci est réalisé en utilisant un amplificateur de puissance audiophile de classe A / B dont la tension d'alimentation est régulée par un circuit amplificateur de classe D pour prévenir toute perte de puissance inutile et obtenir l'efficacité d'un amplificateur de classe D.

Comme le signal audio est amplifié dans le domaine analogique, l'interférence à haute fréquence typique des amplificateurs numériques est éliminée. Cette conception se traduit par un amplificateur à faible bruit et une diminution des interférences électromagnétiques. Comme un des problèmes issus des conceptions classiques de la classe D est la limite de vitesse de commutation des transistors, l'absence de distorsion de recoupement produit une amélioration supplémentaire de la distorsion harmonique totale.

Commandes et indicateurs

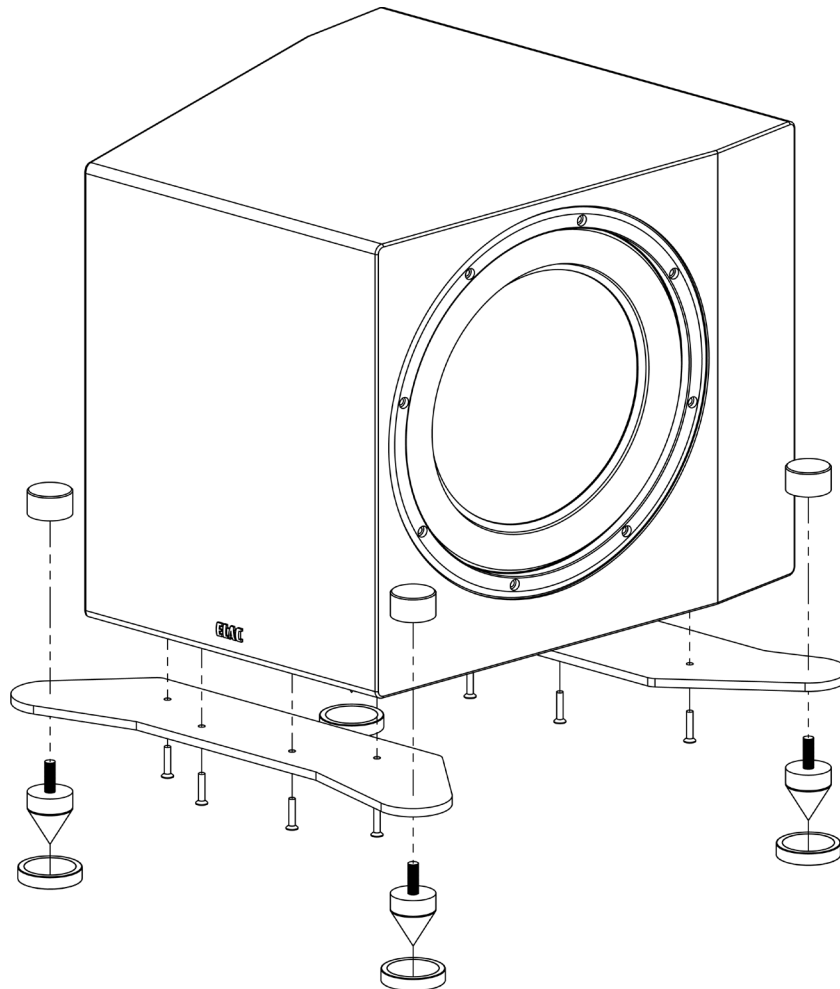
1. Interrupteur d'alimentation - Utilisé comme interrupteur principal d'alimentation pour l'enceinte d'extrêmes basses. Le mode d'alimentation automatique on/off est disponible depuis l'application pour téléphone intelligent
2. Entrée RCA - Ces connections de niveau de ligne sont utilisées pour brancher l'enceinte d'extrêmes basses à votre pré-amplificateur ou récepteur AV.
3. Entrées XLR - À utiliser avec les pré-amplificateur ou récepteurs AV avec sorties XLR
4. Entrées de niveau de haut-parleur - Pour une utilisation avec un amplificateur ou un récepteur intégré sans sortie dédiée d'extrêmes basses.
5. Volume - Utilisé pour régler le volume de l'enceinte d'extrêmes basses.
6. Ethernet - Pour une utilisation future. Permettra les contrôleurs de tierces parties.
7. Service - Cette connexion est utilisée pour la mise à jour de l'enceinte d'extrêmes basses et n'est pas utilisée lors du fonctionnement normal.
8. Entrée AC - Cette entrée est une prise d'alimentation CEI standard. Utilisez le cordon d'alimentation fourni pour brancher l'enceinte d'extrêmes basses à une prise électrique AC disponible.
9. Bouton de jumelage sans fil - Permet de jumeler l'enceinte d'extrêmes basses avec l'émetteur sans fil optionnel.



Installation de plaques de fond et de pointes

Le SUB3070 est livré avec deux plaques de fond en acier ainsi qu'un jeu de pointes qui doivent être installés avant l'utilisation. Veuillez suivre les étapes ci-dessous lors du déballage et de la mise en place de l'enceinte d'extrêmes basses. Étant donné le poids de l'enceinte d'extrêmes basses, nous vous suggérons fortement de vous faire aider lors de cette étape.

1. Déballez soigneusement et retirez l'enceinte d'extrêmes basses de la boîte. Étant donné le poids de l'enceinte d'extrêmes basses, nous **vous suggérons fortement de vous faire aider lors de cette étape**. Placez l'enceinte d'extrêmes basses à l'envers sur une surface douce et non abrasive.
2. Trouvez et placez les plaques de fond en acier sur la partie inférieure de l'enceinte d'extrêmes basses (les trous de vis ne s'alignent que dans un sens) et fixez avec les vis fournies.
3. Maintenant, vissez les pointes tel qu'indiqué dans le diagramme ci-dessous.
4. Si vous installez l'enceinte d'extrêmes basses sur un tapis, retournez-la avec précaution et ajustez les pointes pour la niveler. Une fois nivelée, vous aurez besoin d'utiliser les capuchons de métal pour verrouiller les pointes.
5. Si vous installez l'enceinte d'extrêmes basses sur du bois dur, des carreaux ou d'autres surfaces non recouvertes de tapis, veuillez utiliser les rondelles de pointe fournies pour éviter d'endommager votre plancher.



Comment connecter votre enceinte d'extrêmes basses

Le SUB3070 peut se connecter à votre système audio maison en utilisant l'une des trois options ci-dessous.

Option 1 : À l'aide d'un câble RCA ou XLR (non fourni), connectez l'enceinte d'extrêmes basses à un récepteur AV ou à un préampli avec une sortie dédiée ou une sortie LFE extrêmes basses, de la sortie LFE extrêmes basses du récepteur AV ou du préampli à l'entrée LFE de l'enceinte d'extrêmes basses (Schéma 1).

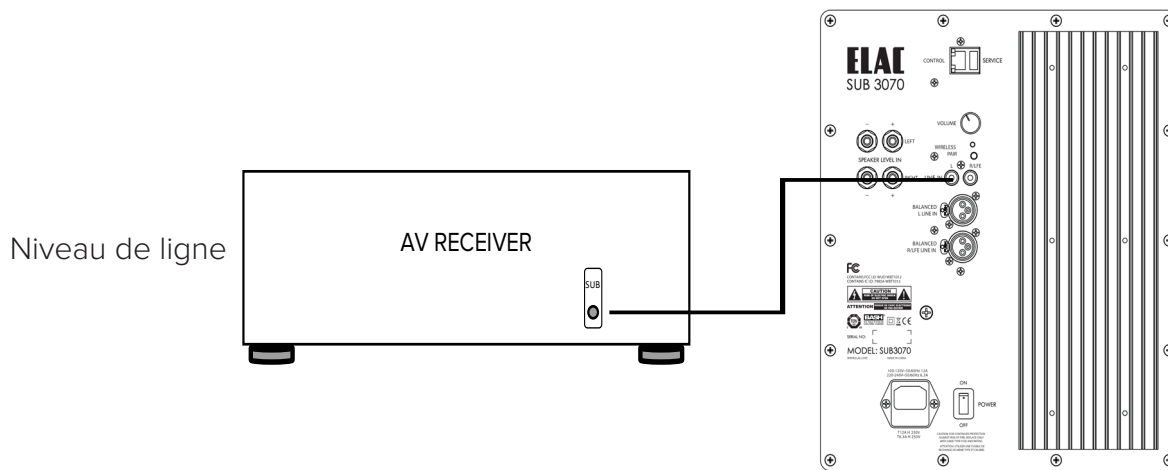


Schéma 1

Option 2 : Connectez les sorties de haut-parleurs gauche et droite de votre amplificateur ou de votre amplificateur intégré ou de votre récepteur aux entrées de niveau de l'enceinte SUB3070. Vous connecterez également les mêmes sorties de niveau de l'enceinte de votre amplificateur aux enceintes, tel qu'indiqué sur le Schéma 2

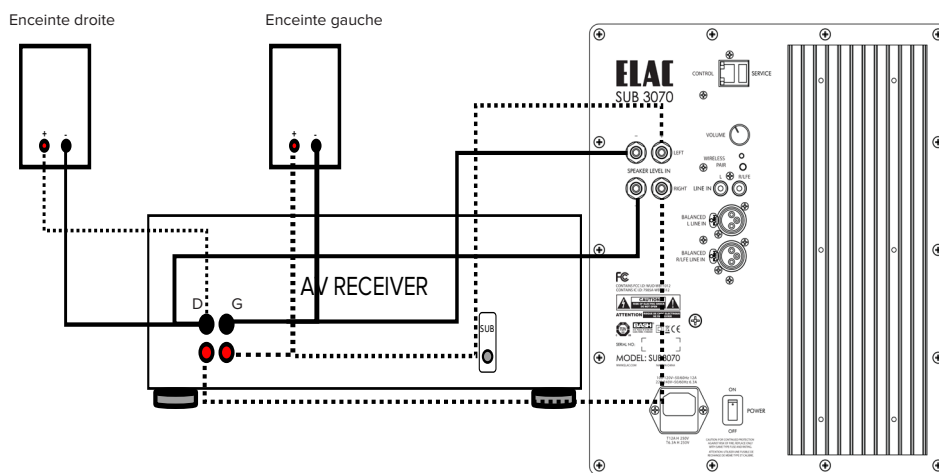


Schéma 2

Option 3 : Utilisez l'émetteur sans fil optionnel (vendu séparément). Veuillez suivre les directives fournies avec l'émetteur sans fil.

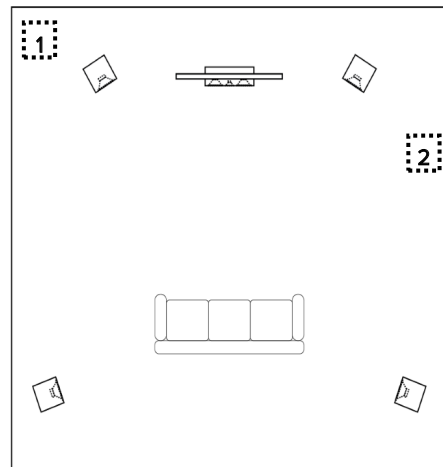
Emplacement de l'enceinte d'extrêmes basses

Trouver le bon emplacement pour votre enceinte d'extrêmes basses peut demander quelques essais et erreurs, mais voici quelques conseils de base pour commencer. Dans la plupart des cas, la position optimale pour l'enceinte d'extrêmes basses se trouve dans le coin avant (1) de la pièce. Le fait de placer une enceinte d'extrêmes basses dans un coin convient à la plupart des configurations de pièce et offre une meilleure chance d'éviter une zone morte (c'est-à-dire une partie de la pièce qui subit une réduction acoustique des basses).

Si l'enceinte d'extrêmes basses placée dans les coins crée une quantité anormale de graves, vous pouvez essayer de le déplacer sur l'une des parois latérales (2) près de l'avant de la pièce.

Si possible, la meilleure option est de déplacer l'enceinte d'extrêmes basses autour de la pièce afin de trouver l'emplacement qui vous procure le meilleur son de votre position d'écoute normale. Il existe de nombreux disques d'essai que vous pouvez acheter et qui fournissent des signaux de tests exacts pour vous aider à trouver cet emplacement optimal.

Remarque : Si vous rencontrez des problèmes pour trouver un bon emplacement, les fonctions PHASE et DELAY intégrées à l'enceinte d'extrêmes basses vous seront également utiles.



Contrôle de votre enceinte d'extrêmes basses - Application requise

Votre enceinte d'extrêmes basses ELAC intègre un système de contrôle numérique avancé. Les potentiomètres et commutateurs rotatifs analogiques conventionnels (à l'exception du volume) ont été remplacés par un processeur de signal numérique (DSP), qui vous permet d'ajuster votre enceinte de manière pratique et précise. Tous les paramètres, tels que le volume, la fréquence de coupure, la phase, etc., ainsi que les fonctions de calibrage automatique, peuvent être ajustés à l'aide d'un appareil intelligent et d'une application personnalisée gratuit.

Le système de contrôle numérique élimine également la possibilité de changements non désirés du contrôle et des réglages.

Remarque : Un périphérique Bluetooth 4.0 Android ou iOS à faible consommation d'énergie est nécessaire pour configurer et utiliser cette enceinte d'extrêmes basses.

Vous pouvez télécharger l'application "ELAC SUB Control 2.0" depuis l'Apple® App Store® ou Google® Play Store®.



Veuillez noter que votre appareil mobile doit prendre en charge le Bluetooth® Standard 4.0. C'est le cas de la majorité des appareils vendus depuis la mi-2013. Si nécessaire, consultez la documentation d'accompagnement de votre appareil mobile ou contactez le service d'assistance du fabricant.

Remarque : Si votre appareil mobile a besoin d'un code à 4 chiffres pendant la procédure de jumelage de l'enceinte, veuillez utiliser "0000"

SPÉCIFICATIONS

| | |
|---------------------------------------|---|
| Type d'enceintes | Boîte scellée de l'enceinte d'extrêmes basses amplifiée |
| Enceinte de basses | Membrane sandwich en aluminium de 2 x 12 po |
| Courbe de fréquence | De 18 à 180 Hz |
| Fréquence de recouvrement | De 40 à 150 Hz |
| Type d'amplificateur | BASH |
| Puissance maximale de l'amplificateur | 1200 watts |
| Contrôlé par une application | Oui (iOS et Android) |
| PSN | Oui |
| Consommation en mode veille | 1 watt |
| Consommation maximale | 1800 watts |
| Entrées | 2 x ligne canal (XLR); 2 x ligne-canal (RCA); 2 x niveau haut-parleur |
| Connexion de données | Ethernet (contrôle), USB (mise à jour du micrologiciel) |
| Sans fil | Récepteur intégré (Émetteur vendu séparément) |
| Finition du meuble | Noir brillant, blanc brillant, placage de bois de rose foncé |
| Accessoires inclus | Cordon d'alimentation AC, plaque de fond, pointes de plancher |
| Hauteur | 43,51 cm |
| Largeur | 50,8 cm |
| Profondeur | 45,72 cm |
| Poids net | 34,92 kg |

ELAC Americas Inc.
Garantie de responsabilité limitée en Amérique du Nord
Enceinte d'extrêmes basses amplifiée

ELAC Americas LLC. garantit à l'acheteur d'origine que ce produit est exempt de toute défectuosité matérielle et/ou de main-d'œuvre pour une période de 3 (trois) ans à compter de la date initiale d'achat. Au cours de cette période, la réparation ou le remplacement de pièces seront gratuits pour le propriétaire d'origine (lire les restrictions ci-dessous). L'acheteur d'origine devra défrayer la totalité des frais d'expédition vers et depuis notre centre de réparation.

Restrictions

La garantie débute à la date initiale de l'achat chez un détaillant autorisé par ELAC Americas Inc.

- Ce produit est garanti uniquement lors d'un usage domestique. La garantie de ce produit ne couvre pas une utilisation commerciale.
- Un produit qui a été modifié ou altéré de quelconque manière ne sera pas garanti.
- Un produit qui a été maltraité ou soumis à un équipement défectueux ne sera pas garanti.
- Les produits dont les numéros de série ont été modifiés ou supprimés ne seront pas couverts par la garantie.

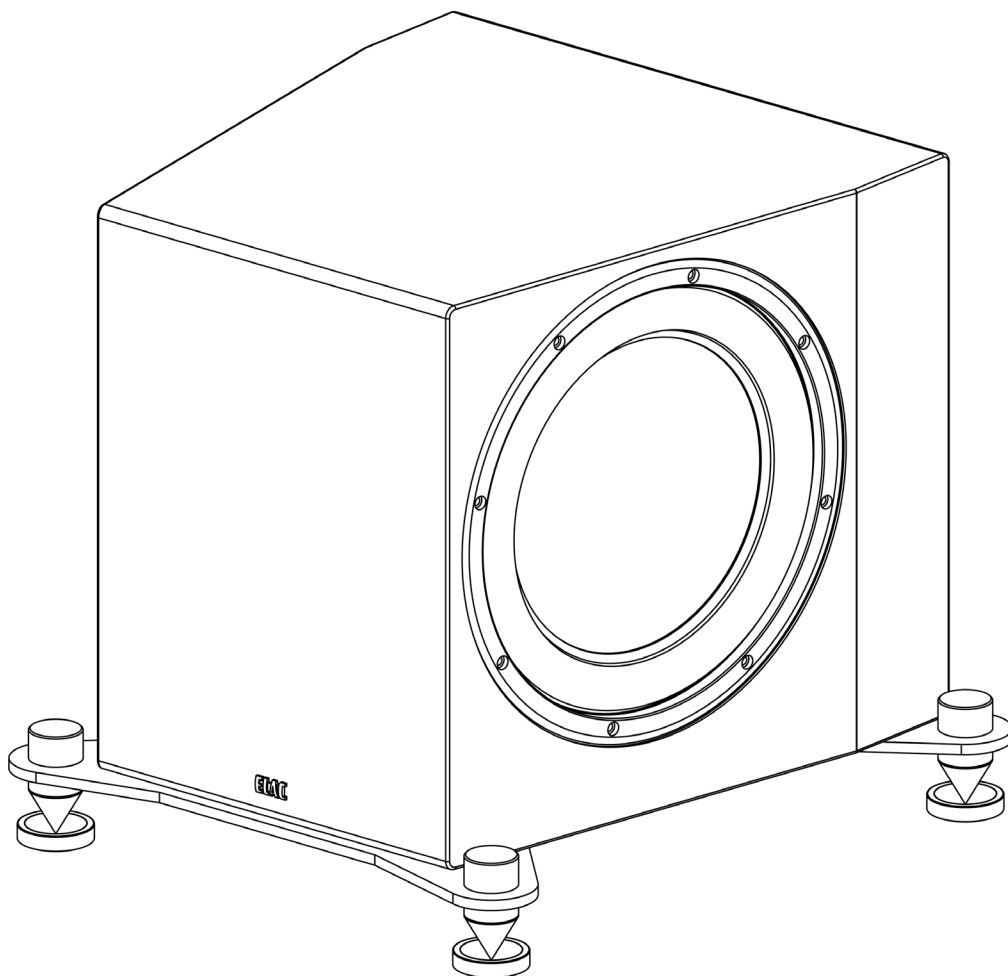
Si des réparations sont requises

Dans le cas où ce service est requis, veuillez contacter ELAC Amérique au 714-252-8843 ou au customerservice@elac.us pour procéder à la réparation ou au remplacement. Vous devrez présenter une preuve d'achat (copie ou facture originale). La totalité des frais d'expédition vers et depuis notre centre de réparation seront à la charge de l'acheteur d'origine.

Garantie à l'extérieur de l'Amérique du Nord

Cette garantie s'applique aux produits achetés aux États-Unis et au Canada. Pour des réclamations de garantie à l'extérieur de l'Amérique du Nord, veuillez contacter le revendeur/distributeur local dans le pays d'achat.

SUB3070 AKTIVER SUBWOOFER



SUB3070 Aktiver Subwoofer

BEDIENUNGSANLEITUNG

ELAC The life of sound.

Sicherheitshinweise

1. Allgemeines

- Bitte lesen und beachten Sie die folgenden Sicherheitshinweise und bewahren Sie diese sorgfältig auf.
- Beachten Sie alle Warnungen, die auf dem Lautsprecher und in der Bedienungsanleitung vermerkt sind. Überprüfen Sie den Lautsprecher vor der Inbetriebnahme auf vorhandene Schäden. Der Lautsprecher muss sich in einem einwandfreien Zustand befinden. Beschädigte Teile können zu Verletzungen führen. VORSICHT! Subwoofer und Aktivlautsprecher können ein gewisses Gewicht aufweisen. Daher ist beim Anheben Vorsicht geboten, um Verletzungen zu vermeiden.

2. Bestimmungsgemäßer Gebrauch

- Schließen Sie den bzw. die Lautsprecher gemäß den Vorgaben in der Bedienungsanleitung an.
- Viele ELAC Lautsprecher sind mit Spikes und/oder rutschfesten Füßen ausgestattet. Diese sind ausschließlich für den Niveaueausgleich des Lautsprechers vorgesehen. Um Niveauunterschiede bei unebenen Böden auszugleichen, drehen Sie die Spikes oder rutschfesten Füße um 2 bis 3 Gewindeumdrehungen heraus. Der Lautsprecher muss stets lotrecht stehen. Die Standfestigkeit des Lautsprechers darf durch die Verwendung von Spikes oder rutschfesten Füßen nicht beeinträchtigt werden, da der Lautsprecher andernfalls kippen kann.

3. Aufstellungsort

- Die Lautsprecher dürfen nur auf ebenen Untergründen aufgestellt werden.
- Vermeiden Sie als Aufstellort für die Lautsprecher Plätze:
 - mit direkter Sonneneinstrahlung
 - mit hoher Feuchtigkeit
 - die vibrationsanfällig sind
 - an denen besonders heiße oder kalte Temperaturen auftreten
 - die sich in der Nähe von Röhrenfernsehgeräten befinden (die Lautsprecher sind nicht magnetisch abgeschirmt und können das Farbbild von Röhrenfernsehgeräten beeinträchtigen)
 - in unmittelbarer Nähe von magnetischen Karten (die Lautsprecher sind nicht magnetisch abgeschirmt, wodurch magnetische Karten wie z.B. Kreditkarten oder Fahrkarten mit Magnetstreifen Schaden nehmen können).

WARNUNG! Achten Sie bei dem Produkt auf einen sicheren Stand, um mögliche Verletzungen durch Umkippen zu vermeiden.

Die Standfestigkeit auf Teppichboden lässt sich durch die Verwendung von Spikes verbessern. Achten Sie beim Anbringen von Spikes darauf, sich nicht an deren scharfen Enden zu verletzen.

Auf glatten Böden lässt sich die Standfestigkeit mithilfe von Klettverschlüssen oder doppelseitigen Klebestreifen erhöhen. Positionieren Sie den Lautsprecher nicht in der Nähe von Wärmequellen wie Heizungen, Heizungsventilen, Öfen oder anderen Geräten (einschließlich Verstärkern), die Hitze entwickeln, oder in explosionsgefährdeten Bereichen.

- Blockieren Sie niemals Lüftungsschlitze. Beachten Sie beim Aufstellen die Anweisungen des Herstellers.
- Stellen Sie den Lautsprecher nicht in ein geschlossenes Regal oder einen geschlossenen Schrank.
- Stellen Sie keine brennenden Kerzen auf den Lautsprecher bzw. in dessen unmittelbare Nähe.
- Positionieren Sie den Lautsprecher nicht in unmittelbarer Nähe eines Transformators, da es sonst durch elektromagnetische Einstreuung des Transformators zu einem Brummen der Tieftöner kommen kann.
- Rutschfeste Füße oder Unterlegscheiben für Spikes können bei bestimmten Werkstoffen / Lackierungen / Materialoberflächen Verfärbungen bzw. Abdrücke verursachen.

4. Überlastung

Bei extremer Überlastung des Geräts durch einen sehr hohen Lautstärkepegel kann es zu einer Beschädigung einzelner Bauteile kommen.

Daher sollten Sie Lautsprecher bei Betrieb mit extrem hohem Pegel nicht unbeaufsichtigt lassen.

5. Wartungsarbeiten

GEFAHR! Öffnen Sie niemals das Gehäuse, da im Gerät gefährliche Spannungen vorhanden sein können!

Wartungsarbeiten dürfen ausschließlich von qualifiziertem Fachpersonal durchgeführt werden. Der Lautsprecher muss gewartet werden, wenn er in irgendeiner Weise beschädigt wurde, z.B. wenn das Netzkabel oder der Netzstecker beschädigt wurde, Flüssigkeiten auf dem Lautsprecher verschüttet wurden oder Gegenstände auf den Lautsprecher gefallen sind, der Lautsprecher Regen oder Feuchtigkeit ausgesetzt wurde, er nicht ordnungsgemäß funktioniert oder fallen gelassen wurde. Öffnen Sie niemals den Lautsprecher, um eine Gefährdung durch elektrischen Strom möglichst zu vermeiden. Wartungsarbeiten dürfen ausschließlich von qualifiziertem Fachpersonal durchgeführt werden.

6. Sicherungen

Verschiedene Arten von Fehlfunktionen in Subwoofern und Aktivlautsprechern können zum Auslösen der Sicherung führen. Ersetzen Sie eine ausgelöste Sicherung nur durch den auf der Rückseite des Lautsprechers auf dem Sicherungshalter angegebenen Sicherungstyp mit den erforderlichen Werten.



7. Reinigung

HINWEIS: Verwenden Sie zur Reinigung nur ein weiches Tuch mit glatter Oberfläche bzw. einen weichen Pinsel. Verwenden Sie auf keinen Fall Scheuermittel, Alkohol, Waschbenzin, Möbelpolitur oder Ähnliches zur Reinigung! Möbel sind häufig mit den verschiedensten Lacken und Kunststoffen beschichtet, die mit chemischen Substanzen behandelt sein können. Manche dieser Substanzen können Bestandteile enthalten, die die Gummifüße angreifen und aufweichen. Legen Sie ggf. eine rutschfeste Unterlage unter den Lautsprecher.

8. Lautstärke

VORSICHT! Dauerhaft hohe Lautstärkepegel können ernsthafte Hörschäden hervorrufen. Achten Sie daher auf einen angemessenen Umgang mit der Lautstärke.

9. Entsorgung

Die Verpackung besteht aus recyclingfähigen Materialien. Entsorgen Sie diese bitte umweltgerecht. Werfen Sie den Lautsprecher am Ende seiner Lebensdauer nicht in den normalen Hausmüll. Führen Sie den Lautsprecher entsprechend den geltenden gesetzlichen Vorschriften einer geordneten Entsorgung zu. Erkundigen Sie sich hierzu bei Ihrer Stadtverwaltung nach geeigneten Möglichkeiten, damit die im Gerät enthaltenen wertvollen Rohmaterialien wiederverwendet werden können. Machen Sie den Lautsprecher vor der Entsorgung unbrauchbar.

10. Netzanschluss

Schließen Sie diesen Subwoofer nur an die auf der Rückwand des Gehäuses angegebenen Spannungen an. Der Anschluss an andere Spannungen kann zu irreversiblen Schäden am Subwoofer führen und hat das Erlöschen der Gewährleistung zur Folge. Die Verwendung von Netzsteckeradaptern wird nicht empfohlen, da diese den Anschluss an andere als den auf der Rückseite dieses Subwoofers vermerkten Spannungen ermöglichen.

Philosophie

Vielen Dank, dass Sie sich für den Kauf dieses ELAC Produkts entschieden haben.

Seit der Firmengründung im Jahre 1926 hat sich ELAC stetiges Streben nach Höchstleistung zum Prinzip gemacht.

Ihre neuen ELAC Lautsprecher mit ihren qualitativ hochwertigen Bauteilen wurden für höchste Ansprüche konstruiert und bieten exquisite Klangqualität. Konzipiert wurden sie von einer Gruppe passionierter Entwickler mit dem Ziel, eine völlig neue Dimension der Klangwiedergabe in Ihr Zuhause zu bringen. Viel Freude mit Ihren ELAC Lautsprechern!

Vor der Inbetriebnahme

Achten Sie darauf, die Lautsprecher und andere Bauteile nicht zu beschädigen:

- Nehmen Sie den Subwoofer vorsichtig aus der Verpackung heraus, damit dieser nicht beschädigt wird.
- Achten Sie vor dem Anschließen eines Cinch-Kabels darauf, dass alle Komponenten ausgeschaltet sind.
- Vergewissern Sie sich, dass das Netzkabel eingesteckt ist und prüfen Sie es auf festen Sitz, um einen Stromschlag bzw. mögliche Verletzungen zu vermeiden.

BASH®-Technologie

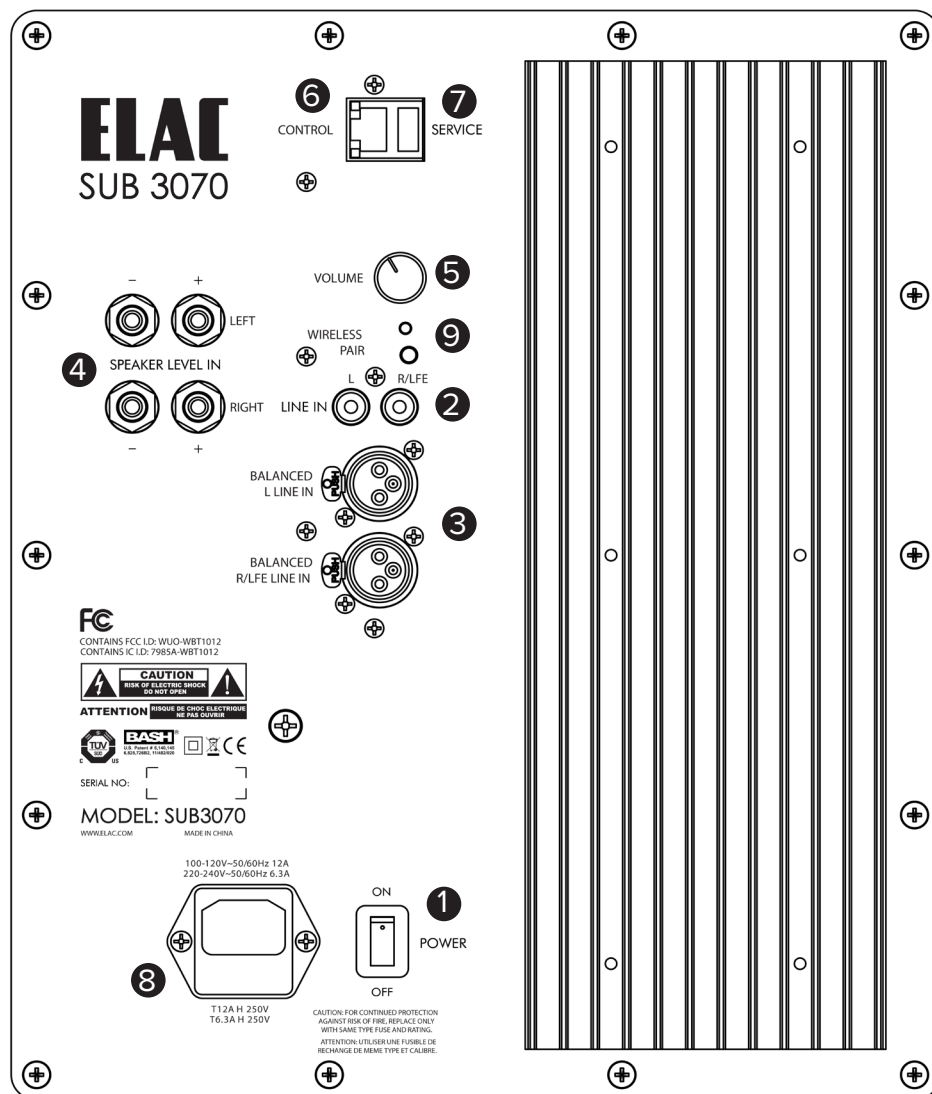
Die im Verstärkermodul des ELAC Subwoofers eingesetzte BASH®-Technologie verspricht bei gewohnt imposanten Leistungsreserven deutlich niedrigere Verzerrungen. Erreicht wird dies durch den Einsatz einer audiophilen Class-AB Endstufe, deren Versorgungsspannung mit einem Class-D Verstärker geregelt wird, um keine unnötige Verlustleistung zu erzeugen und die Effizienz eines Digitalverstärkers zu erreichen. Somit sind alle Vorteile beider Technologien in der BASH®-Technologie vereint.

Da das Musiksinal analog verstärkt wird, fallen die bei den Digitalverstärkern auftretenden hochfrequenten Störungen weg, somit entsteht ein rauschärmerer Verstärker, der auch weniger elektromagnetische Störfelder abstrahlt.

Eine weitere Verbesserung des Klirrfaktors gelingt, da keine Übernahmeverzerrungen verursacht werden, die in Digitalverstärkern zwangsläufig entstehen, deren Transistoren nicht beliebig schnell schalten können.

Bedien- und Anschlusselemente

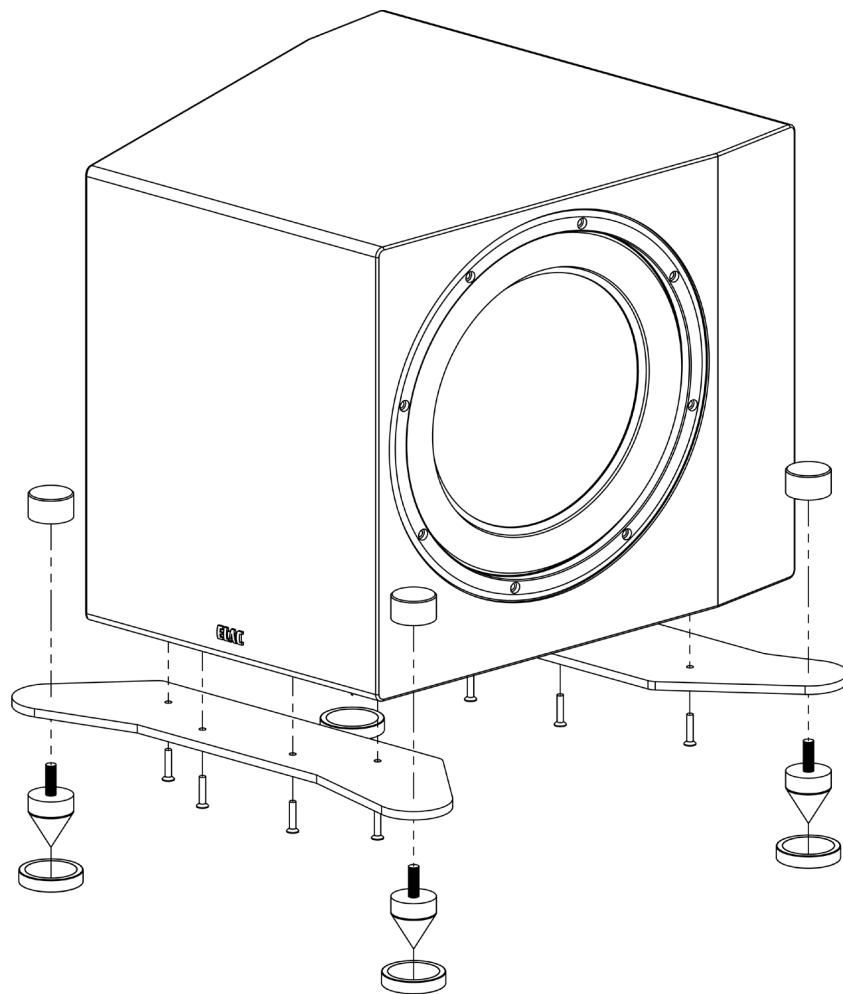
1. Mit dem Netzschalter wird das Gerät ein- oder ausgeschaltet. Auto-Power an/aus steht Ihnen durch die Smartphone-App zur Verfügung.
2. Diese Cinch-Buchsen sind für den Anschluss des ELAC Subwoofers an einen Stereo-Line-Ausgang eines Vorverstärkers bzw. den „BASS“/„SUB OUT“/„LFE“-Ausgang eines Surround-Verstärkers/Surround-Receiver vorgesehen. Für diese Verbindungen wird ein handelsübliches NF-Kabel mit Cinch-Steckern verwendet. Während des Betriebes sollten diese Stecker nicht ein- oder ausgesteckt werden.
3. Die XLR-Anschlüsse bieten die Möglichkeit, den ELAC Subwoofer an High-End Audiokomponenten anzuschließen, die entsprechende Ausgänge anbieten.
4. Speaker Level Inputs - Hierbei handelt es sich um Buchsen für den Anschluss des ELAC Subwoofers an Lautsprecherausgänge eines Leistungsverstärkers oder Surround-Receiver. Die Bassanteile aller Eingänge werden aufaddiert und über den Subwoofer wiedergegeben.
5. Volume (Lautstärke) – für die Regelung des Lautstärkenpegels.
6. Ethernet – für die Verwendung von Bedienelementen anderer Hersteller.
7. Service – Diese Verbindung wird für das Updaten des Subwoofers verwendet, nicht für den herkömmlichen Betrieb.
8. Netzanschlussdose – Verwenden Sie das im Lieferumfang enthaltene Netzkabel, um den Subwoofer an eine verfügbare Netzsteckdose anzuschließen.
9. Wireless Pairing Button – Zum Verbinden des Subwoofers mit dem optionalen Wireless-Dongle.



Installation der Ausleger und Spikes

Mit den im Paket enthaltenen Stahlauslegern kann der SUB3070 mit einer größeren Standfläche versehen werden. Die enthaltenen Spikes verbessern die Standfestigkeit auf unebenen oder mit dickem Teppich ausgelegten Böden. Folgen Sie bitte dieser Anleitung schrittweise. Aufgrund des Gewichts des Subwoofers empfehlen wir, eine zweite Person zur Hilfe zu nehmen.

1. Packen Sie den Subwoofer vorsichtig aus dem Karton aus. Aufgrund des Gewichts raten wir dringend zu einer zweiten Person, die Ihnen beim Auspacken zur Hilfe kommt.
2. Legen und positionieren Sie die Stahlausleger auf die untere Seite des Subwoofers (Die Gewindelöcher sind nur an der unteren Seite sichtbar) und sichern Sie diese mit den beigefügten Schrauben.
3. Schrauben Sie nun die Spikes, wie auf dem unteren Schaubild gezeigt, ein.
4. Sollten Sie den Subwoofer auf einem Teppichboden installieren, drehen Sie den Subwoofer vorsichtig auf die obere Seite und passen Sie die Spikes auf die benötigte Höhe an. Verwenden Sie Metallverschlusskappen, um die Spikes zu sichern, sobald Sie diese passend justiert haben.
5. Sollten Sie den Subwoofer auf harten Böden wie Holz oder Fliesen oder andere feste Untergründe aufstellen wollen, so nutzen Sie bitte die Unterlegscheiben der Spikes, um Ihre Böden vor Beschädigungen zu schützen.



Anschluss des Subwoofers

Die im Folgenden beschriebenen Varianten geben einen Überblick über die verschiedenen Anwendungsfälle des SUB3070.

Variante 1: Wenn Sie den Subwoofer an einen AV-Receiver oder Vorverstärker anschließen, der über einen dezidierten Subwoofer- oder LFE-Ausgang verfügt, verbinden Sie den LFE-/Subwoofer-Ausgang des AV-Receiver/Vorverstärkers mithilfe eines Cinch-Kabels (nicht im Lieferumfang enthalten) mit dem linken Cinch-Eingang des Subwoofers (Abb. 1).

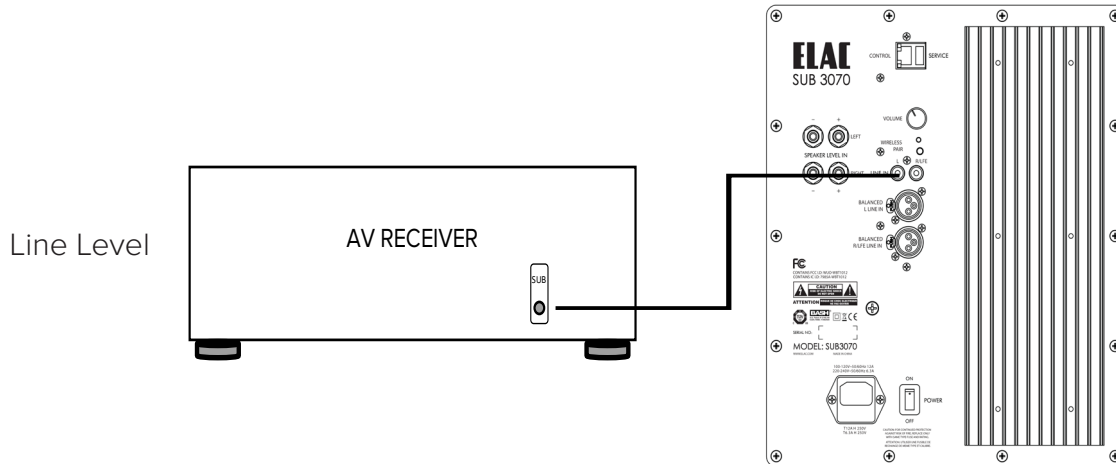


Fig 1

Variante 2: Wenn Sie den Subwoofer an einen Stereo-Vorverstärker oder AV-Receiver anschließen, der über keinen dezidierten LFE- / Subwoofer-Ausgang verfügt, verwenden Sie ein Stereo-Cinch-Steckerpaar und verbinden diese jeweils mit dem linken und rechten Cinch-Eingang des Subwoofers. Wenn Ihr Vorverstärker über nur ein Pre-OUT-Paar verfügt, verwenden Sie für jeden Ausgang des Vorverstärkers einen Splitter und verbinden Sie zwei Stereo-Cinch-Kabelpaare mit dem Verstärker und dem Subwoofer (Abb. 2).

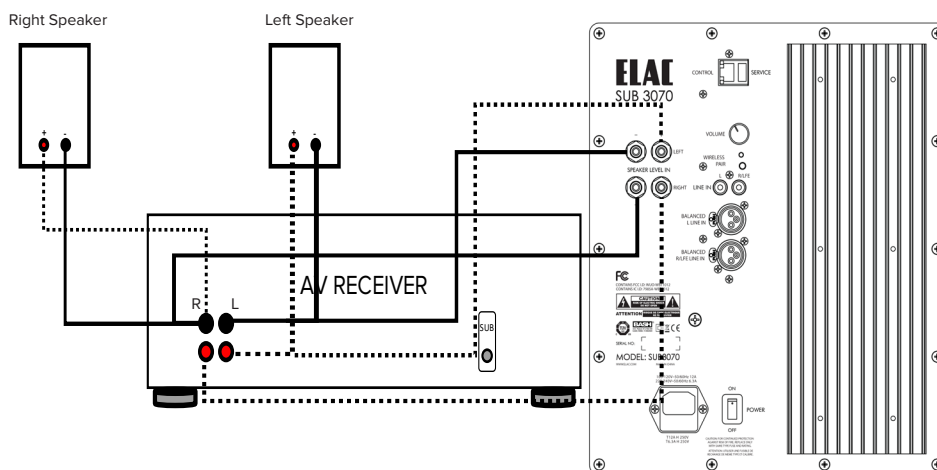


Fig 2

Variante 3: Benutzen Sie ein optionales Wireless-Dongle (Verkauf separat). Bitte folgen Sie der Bedienungsanleitung des Wireless-Dongles.

Aufstellung des Subwoofers

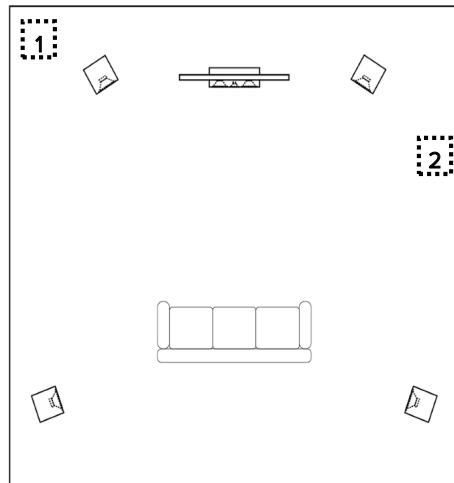
Obwohl sich die ideale Aufstellposition des Subwoofers oftmals nur durch Experimentieren ermitteln lässt, gibt es einige grundlegende Hinweise, die sich hierbei als hilfreich erweisen können. In der Regel erweist sich die vordere Ecke (1) eines Raums als beste Position für den Subwoofer.

Bei Aufstellung des Subwoofers in einer Ecke werden die meisten Raummodi angeregt und Basslöcher (Teil eines Raums, in dem der Bass akustisch reduziert ist) lassen sich am ehesten vermeiden.

Wenn bei einem in einer Raumecke platzierten Subwoofer ein Übermaß an Bass zu hören ist, können Sie versuchen, den Subwoofer an eine Seitenwand (2) im vorderen Bereich des Raums zu stellen.

Die beste Methode, den Aufstellort mit dem für Ihre normale Hörposition besten Klang zu finden, besteht darin, den Subwoofer an verschiedene Positionen im Raum zu stellen. Eine Hilfestellung bei der Ermittlung der optimalen Aufstellposition können zudem die zahlreichen, käuflich zu erwerbenden Test-CDs bieten, die entsprechende Testsignale bereitstellen.

Hinweis: Die PHASE und DELAY Funktion wurde in den Subwoofer integriert, um Ihnen beim Finden einer Aufstellposition zu helfen.



Bedienen Sie Ihren Subwoofer ganz einfach per App

Ihr ELAC Subwoofer weist ein fortschrittliches, digitales Bedienkonzept auf. Analoge Drehpotentiometer und Schalter wurden durch einen digitalen Signalprozessor (DSP) ersetzt. Dieser ermöglicht Ihnen so eine komfortable, wertgenaue Einstellmöglichkeit Ihres Subwoofers. Alle Parameter, wie z.B. die Lautstärke, die Übergangsfrequenz, Phase etc., aber auch die automatische Einmessfunktion, lassen sich komfortabel mit Hilfe der kostenlosen APP einstellen.

Unerwünschtes Verstellen von Bedienelementen ist durch das digitale Bedienkonzept ausgeschlossen. Die zum Steuern des Subwoofers erforderliche App „**ELAC SUB Control 2.0**“ laden Sie bitte aus der entsprechenden Quelle herunter. Für Apple® iPhone®- bzw. iPod®-Anwender ist dies der Apple® App Store®, für Android®-Anwender ist dies der Google® Play Store®



Bitte beachten Sie, dass Ihr mobiles Endgerät den Bluetooth® Standard 4.0 unterstützen muss. Dies ist bei den meisten Geräten der Fall, die ab Mitte 2013 im Handel erschienen sind. Schauen Sie ggf. in den Unterlagen Ihres mobilen Endgerätes nach oder kontaktieren Sie die Hersteller-Hotline.

Hinweis: Für den Fall, dass Ihr mobiles Endgerät einen 4-stelligen Code für das Verbinden der Subwoofer benötigt, geben Sie bitte „0000“ als Code ein.

TECHNISCHE DATEN

| | |
|------------------------------|--|
| Bauart | Geschlossenes Gehäuse, Aktiver Subwoofer |
| Tieftöner | 2 x 300 Aluminum-Sandwich-Konus |
| Frequenzbereich | 18 – 180 Hz |
| Übergangsfrequenz | 40 – 150 Hz |
| Verstärkertyp | BASH-Technologie |
| Maximale Verstärkerleistung | 1200 W |
| App-gesteuert | Ja (iOS und Android) |
| DSP | Ja |
| Leistungsaufnahme im Standby | 1 W |
| Maximaler Energieverbrauch | 1800 W |
| Eingänge | 2 x Line-Kanal (XLR); 2 x Line-Kanal (Cinch); 2 x Lautsprecherpegel |
| Datenverbindung | Ethernet (Bedienen), USB (Firmware Update) |
| Wireless | Eingebauter Empfänger (Wireless-Dongle separat, optional erhältlich) |
| Farbausführungen | Schwarz Hochglanz, Weiß Hochglanz, Palisander Furnier |
| Zubehör im Lieferumfang | Netzkabel, Ausleger, Spikeset |
| Höhe | 435 mm |
| Breite | 518 mm |
| Tiefe | 476 mm |
| Gewicht netto | 35 kg |

Gewährleistung / Werksgarantie

I. Die folgenden Garantiebestimmungen gelten für innerhalb der Europäischen Union und der Schweiz von einem autorisierten Fachhändler erworbene Produkte von ELAC, die unter X. dieser Bestimmungen aufgeführt werden.

II. Die folgenden Bestimmungen erweitern die Rechte des Erwerbers und beeinflussen in keiner Weise die nach der jeweiligen Rechtsordnung zusätzlich bestehenden Rechte wie beispielsweise die Gewährleistungsrechte.

III. Aus den Garantiebestimmungen entstehen Ansprüche nur für diejenigen Käufer, die das betreffende Produkt von einem autorisierten Fachhändler erworben haben. ELAC betreibt ein selektives Vertriebssystem. Wird das Produkt von einem nicht autorisierten Händler erworben, entstehen keine Garantieansprüche. Etwaige Gewährleistungsansprüche gegen den Verkäufer bleiben davon unberührt.

IV. Voraussetzung für die Geltendmachung von Garantieansprüchen ist, dass sich der Käufer innerhalb von drei Monaten ab Kaufdatum des jeweiligen ELAC-Produktes registrieren lässt.

Zur Registrierung ist die Einsendung einer Kopie des Kaufbeleges innerhalb der oben genannten Drei-Monats-Frist erforderlich. Dies kann auf elektronischem und postalischem Weg erfolgen. Die E-Mail-Adresse von ELAC lautet: info@elac.de. Weitere Kontaktmöglichkeiten unter www.elac.de. Zur Adresse siehe unten.

Die Registrierung kann auch insgesamt per Post erfolgen. Dazu muss der Erwerber eine Kopie des Kaufbeleges an die folgende Adresse versenden:

ELAC Electroacoustic GmbH
Fraunhoferstraße 16
24118 Kiel
Deutschland
Stichwort: Garantie

V. Die Garantie erstreckt sich nur auf Material-, Konstruktions- oder Verarbeitungsmängel.

VI. Die Garantie erstreckt sich nicht auf Schäden, die auf grobe Behandlung oder unsachgemäßen Gebrauch zurückzuführen sind oder auf natürliche oder übliche Abnutzungen. Die Garantie erstreckt sich nicht auf optisch uneinheitliche Furnierstruktur oder Verfärbungen des Furniers, da es sich hierbei um natürliches Material handelt. Die Garantie erstreckt sich auch nicht auf sonstige Ereignisse, die nicht im zumutbaren Bereich von ELAC liegen.

Die Garantie erstreckt sich nicht auf Mängel, die in Verbindung mit anderen Produkten auftreten, die nicht von ELAC hergestellt wurden oder in sonstiger Weise durch nicht bestimmungsgemäßen Gebrauch auftreten. Auf die sachgerechte Bedienung gemäß der den Produkten beiliegenden Bedienungsanleitung wird ausdrücklich hingewiesen.

Die Garantie erstreckt sich nicht auf Mängel, die durch unsachgemäßes Aufstellen oder unsachgemäße Lagerung entstehen. Unsachgemäß ist beispielsweise das Aufstellen oder die Lagerung in feuchter Umgebung oder in einer Umgebung, in welcher das Produkt extremen Temperaturen und/oder Temperaturschwankungen, Oxidation oder Korrosion ausgesetzt ist. Mängel, die durch Verschütten von Flüssigkeiten oder Nahrungsmitteln oder sonstige chemische Substanzen an die Produkte gelangen und auf sie einwirken, sind von der Garantie ebenfalls nicht umfasst.

VII. Die Garantie erlischt, wenn das Produkt nicht durch ELAC oder einen autorisierten Fachhändler geöffnet, verändert oder repariert wird. Die Garantie erlischt, wenn die Seriennummer entfernt oder unleserlich gemacht wird.

VIII. Material-, Konstruktions- oder Verarbeitungsmängel werden innerhalb der Garantifrist von ELAC oder von einem autorisierten Fachhändler des Landes, in welchem das Produkt erworben wurde, kostenlos behoben. Dies geschieht innerhalb einer wirtschaftlich angemessenen Frist. Nach Ermessen von ELAC oder des autorisierten Fachhändlers kann die Garantieleistung auch in einem Austausch des betroffenen Produktes erfolgen. Soweit baugleiche Produkte nicht mehr verfügbar sind, kann ein Austausch in Form eines anderen Produktes erfolgen, welches der gleichen Preis- und Qualitäts-Klasse entspricht.

Das Eigentum der ausgetauschten Ersatzteile oder der ausgetauschten Produkte geht auf ELAC über.

IX. Eine Bemänglung muss innerhalb der Garantiezeit gegenüber ELAC oder einem autorisierten Fachhändler innerhalb angemessener Frist nach Entdeckung des Mangels bekanntgegeben werden. Im Garantiefall muss ELAC oder dem autorisierten Fachhändler das bemängelte Produkt und eine Kopie des Original-Kaufbeleges übergeben werden. Aus diesen Belegen müssen sich folgende Informationen ergeben:

- a) Name und Adresse des Fachhändlers
- b) Datum und Ort des Kaufes
- c) Artikelbezeichnung, Produkttyp und Seriennummer Zur Bearbeitung des Garantiefalles und Rücksendung etwaig reparierter oder ausgetauschter Produkte ist ebenfalls die Angabe des Namens und der Adresse des Käufers erforderlich.

Versandadresse für Rücksendungen:

ELAC Electroacoustic GmbH
Fraunhoferstraße 16
24118 Kiel
Deutschland

Informationen über die autorisierten Fachhändler erfahren Sie auch über die Homepage www.elac.de.

Für den Fall einer Bearbeitung eines nicht unter diese Bedingungen fallenden Produktes, kann ELAC dem Anspruchsteller eine angemessene Bearbeitungsgebühr in Rechnung stellen.

X. Die Garantifrist beginnt mit Auslieferung des Produktes an den erstmaligen Endkunden.

Die Garantifrist beträgt für alle Produkte der ELAC Electroacoustic GmbH: 2 Jahre gesetzliche Gewährleistung. Sie verlängert sich um drei weitere Jahre Werksgarantie (ein weiteres Jahr bei Aktivboxen, Aktivsubwoofern, SurroundSets und Aktivelektronik), wenn sich der Käufer bei ELAC registrieren lässt.

XI. Diese Herstellergarantie ist die einzige Garantie, welche ELAC für ihre Produkte gewährt. Sie geht allen sonstigen, mündlichen oder schriftlichen Garantiebedingungen vor. Eine Garantieleistung bewirkt keine Verlängerung der Garantifrist und setzt auch keine neue Garantifrist in Gang.

Die Haftung ist auf den Wert des Produktes beschränkt. ELAC haftet nicht für weitere eintretende Schäden oder Verluste direkter oder indirekter Art. Dies gilt nicht für Schäden, welche aufgrund Vorsatzes oder grober Fahrlässigkeit durch ELAC herbeigeführt wurden.

ELAC The life of sound.

ELAC AMERICAS INC.
11145 KNOTT AVE. SUITES E & F
CYPRESS, CA 90630

ELAC ELECTROACUSTIC GMBH
FRAUNHOFERSTRASSE 16
D-24118 KIEL, GERMANY